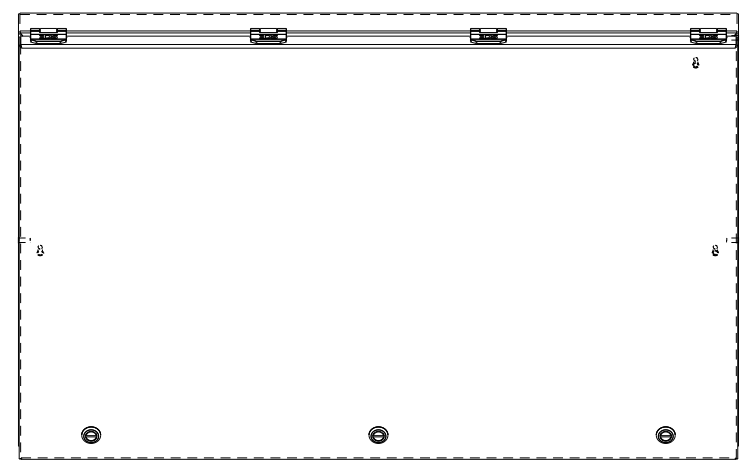
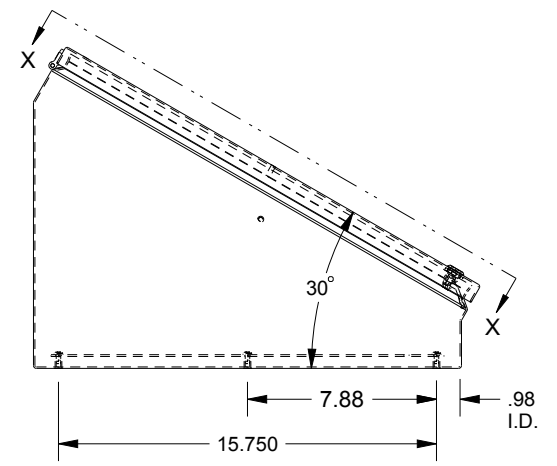


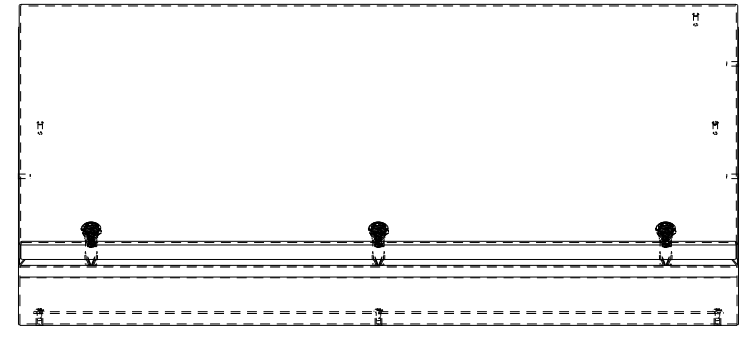
# SAGINAW CONTROL & ENGINEERING SCE-20C30ELJSS



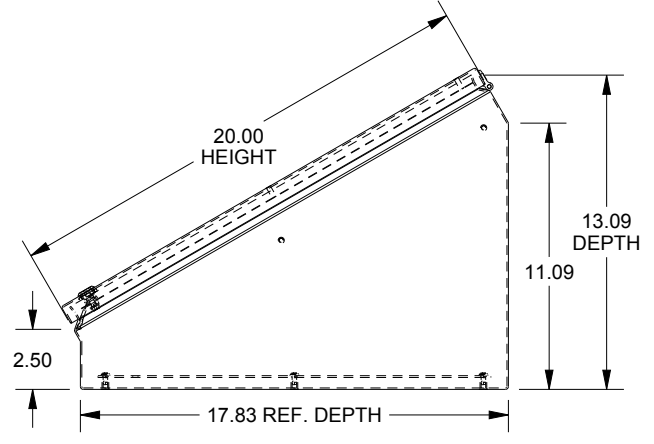
TOP VIEW



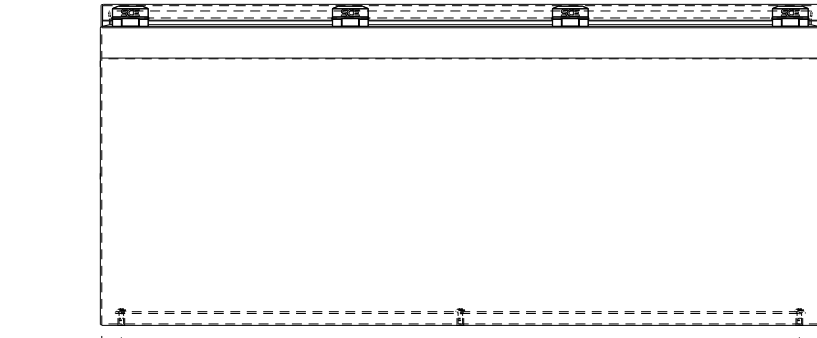
LEFT SIDE VIEW



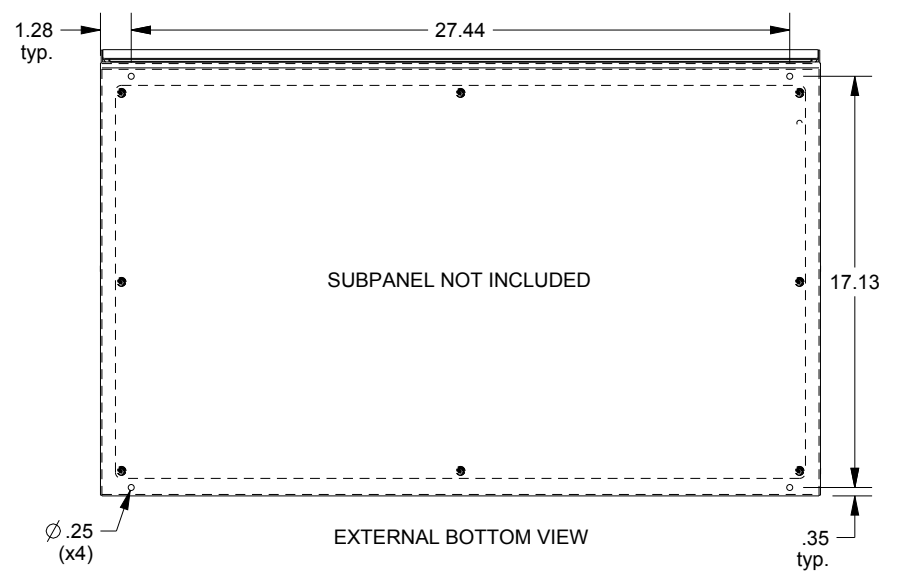
FRONT VIEW



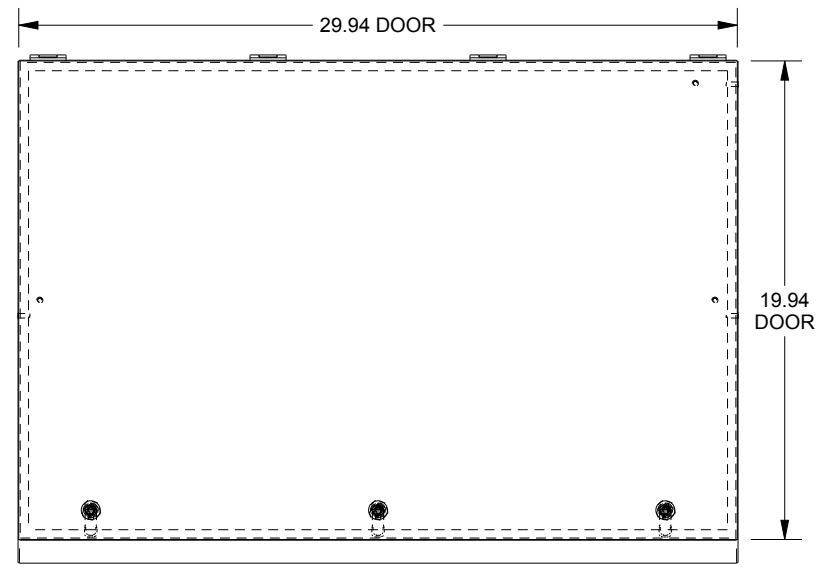
RIGHT SIDE VIEW



REAR VIEW



EXTERNAL BOTTOM VIEW



SECTION X-X  
SCALE 0.125